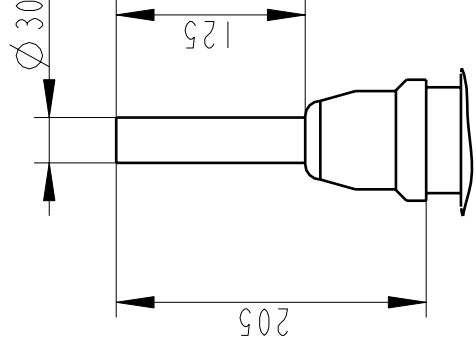
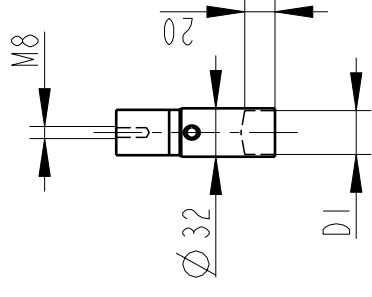


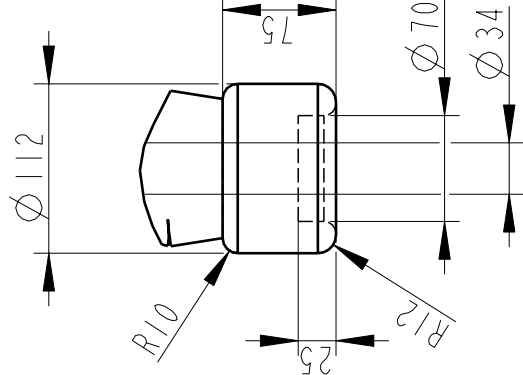
OUTER TERMINAL



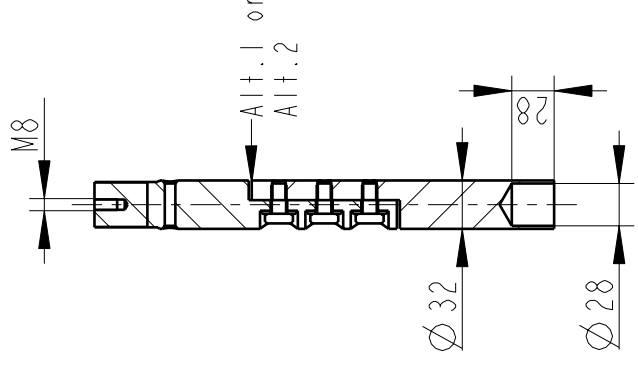
INNER TERMINAL FOR STRANDED CABLE



END SHIELD



SOLID ROD CONNECTOR



The solid rod can be divided either:
 Alt. 1: 20mm below the bushing flange or
 Alt. 2: 20mm below the upper end of the bottom porcelain

Bushing Data:

Rated Voltage	100	kV
Phase to Ground Voltage	72.5	kV
Dry Lightning Impulse 1,2/50 μ s	380	kV
Wet power frequency AC	150	kV
Routine test lmin dry 50Hz	162	kV
Rated Current	1250	A
Creepage Distance	2210 \pm 70	mm
Creepage Distance Protected	870	mm
Mass	44	kg

Ordering Data:

BUSHING COLOUR AIR INSULATOR

LF123103-K BROWN
 -L LIGHT GREY

OUTER TERMINAL

LF 170 002-B Cu, $\varnothing 30$, L=125

LF 170 001-B Al, $\varnothing 30$, L=125

OTHER TYPES ON REQUEST

INNER TERMINAL FOR STRANDED CABLE

For brazing Conductor area DI

LF 170 011-T up to 285mm² $\varnothing 29$

LF 170 011-V Undrilled with pilot hole $\varnothing 5$

SOLID ROD CONNECTOR

LF 170 052 -BP for Alt. 1

LF 170 052 -BM for Alt. 2

We reserve all rights in this document and in the information contained therein. Reproduction, use or disclosure to third parties without express authority is strictly forbidden.
 ©ABB

ABB Components		Ludvika, Sweden	
No.	Urbly	kV	A 50/60 Hz
U	L / S / AC	tr	kV
M	kg	L	mm
C1	pf	Tan δ	r
C2	pf	Tan δ	r

Based on	Reg. No.
Prepared	Responsible department
LÖVNORD	COM/BK
Approved	Take over department
Johansson	Database
Design engineering review	
Hedlund	

Title	Language
GOB 380-1250-0.5	I(1)
WITH OIL LEVEL GAUGE	
SHORT END SHIELD	
Document No.	Page
2751369-197	I(1)